

# Fire Rated Wood Moulding

July 12, 2017

Masonite Architectural Wood Doors is pleased to announce enhancements to the Fire Rated Wood Moulding offering. 90 minute fire rated doors can now be provided with lites up to 1296 in<sup>2</sup>. Listed and Labeled 1/4" wired glass (up to 100 in<sup>2</sup>) or Listed and Labeled 3/16" ceramic glass may be used with the Fire Rated Wood Moulding. To order the wood wrapped composite moulding use order code "MF3" in column 11 of the Graham Wood Door order form for "Moulding".

Product was successfully tested per WDMA TM-7 to the Extra Heavy Duty requirements of WDMA I.S. 1A.

45 to 90 Minute Available Sizes:

Maximum visible area: 1296 in<sup>2</sup>

Maximum visible width: 36 inches

Maximum visible length: 54 inches

Standard Species Available:

Red Oak

Natural Birch

White Maple

Cherry

Mahogany

Black Walnut

Other species are available upon request. Contact your Masonite Architectural Wood Door customer service professional for more details.



# Wood Mouldings

## Architectural Accessories Details

### Wood Door Technical Manual

July, 2017

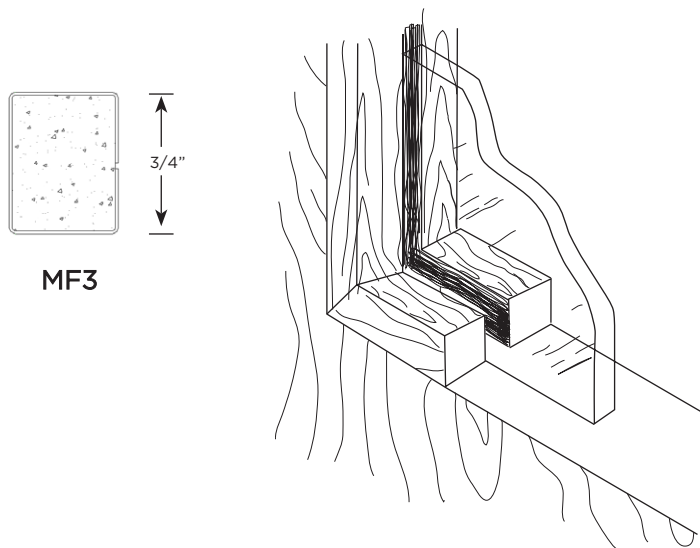
## Fire Rated Flush Wood Moulding for Lites

1. Available with 45, 60 and 90 minute fire rated (mineral core) doors.

Hourly Rating	Area (in <sup>2</sup> )	Width (inch)	Height (inch)	Distance from Lite Cutout to:			
				Multiple Lites	Door Edge (inch)	Hardware Prep Cutout (inch)	Lite Cutouts (inch)
45-90 Minute*	1296	36	54	Yes, sum of areas $\leq$ 1296 in <sup>2</sup>	5	1.313	5

2. Factory installed: glass, glazing material, glazing bead, clips, nails, provided.
3. Flush Moulding Profile: **MF3**
4. Available Species: Red Oak, Natural Birch, White Maple, Cherry, Mahogany, and Walnut. Contact you Customer Service Professional for availability of other species.
5. Glass: 1/4" thick nominal wired glass (100 in<sup>2</sup> maximum) or 3/16" thick nominal ceramic (1296 in<sup>2</sup> maximum)
6. Cutout Size and Glass Size:

Cutout Width = Visible Glass Width + 1.500"  
 Cutout Height = Visible Glass Height + 1.500"  
 Glass Width = Visible Glass Width + 1.375" Glass  
 Height = Visible Glass Height + 1.375"



A variance in the downset of flush mouldings may occur due to allowable tolerance deviations of components.

\*The International Building Code (IBC) states that fire protection rated glazing in excess of 100 in<sup>2</sup> is not permitted in 60 and 90 minute fire rated doors. NFPA 80 states that glazing materials in vision panels shall be installed in accordance with inspection service procedure and under label service.